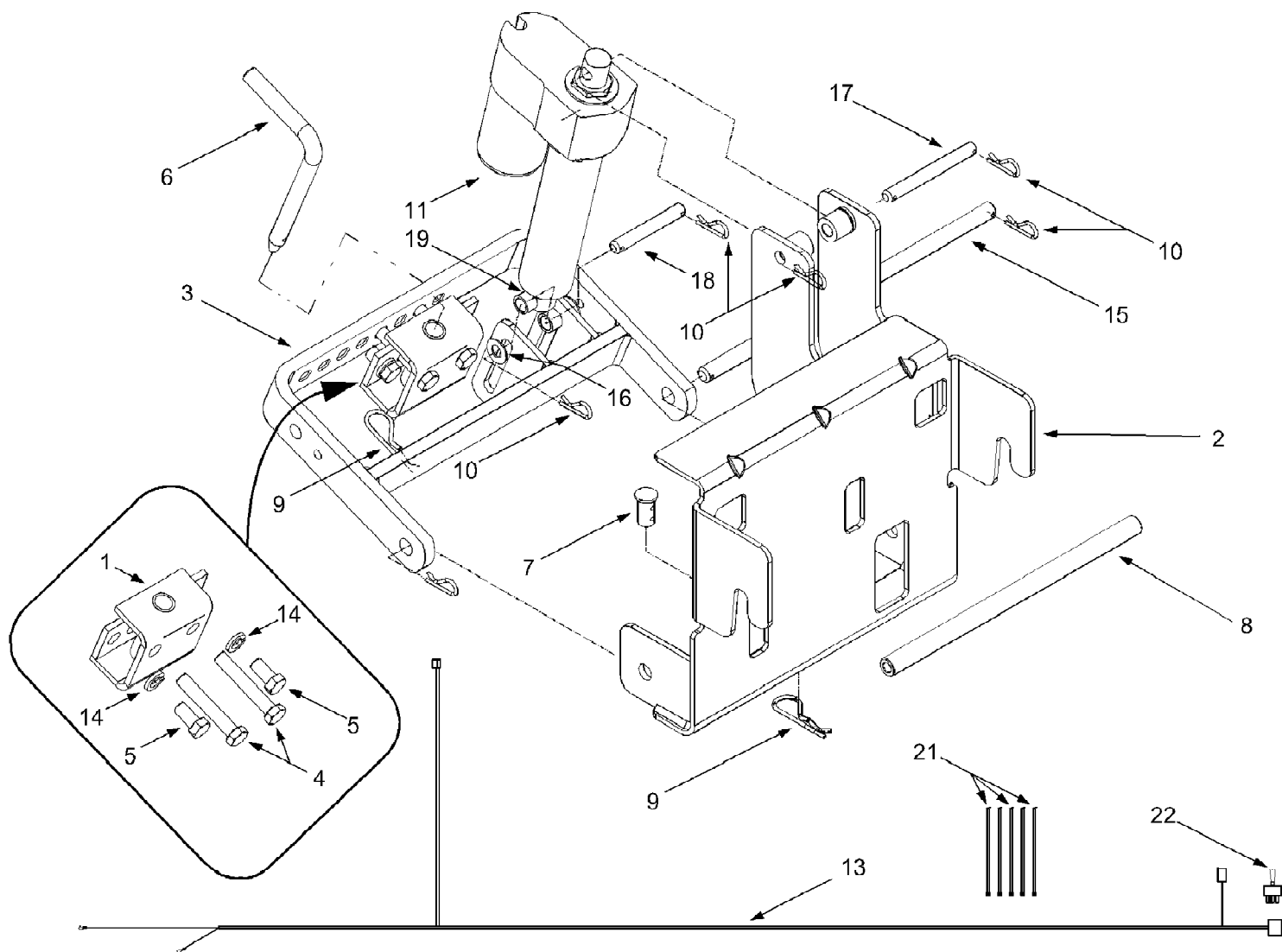


190-824-101 Electric Sleeve Hitch (2001)
Electric Sleeve Hitch Assembly



190-824-101 Electric Sleeve Hitch (2001)
Electric Sleeve Hitch Assembly

Page 2 of 2

Ref #	Part Number	Qty	S/P/F	Description
1	13269	1	S	Hitch Bracket Assembly
2	683-0272A	1	S	Sleeve Hitch Bracket Assembly
3	683-0273	1	S	Sleeve Hitch Assembly
4	710-0182	1	/P	Hex Cap Screw, 1/2-13 x 3 (Grade 5)
5	710-3131	1	/P	Hex Cap Screw, 1/2-13 x 1 (Grade 5)
6	711-0282	1	/P	Hitch Pin
7	711-0309A	1	/P	Clevis Pin
8	711-1440	1		Support Rod, 3/4 x 13"
9	714-0117	1	/P	Internal Cotter Pin, .148 x 3
10	714-0149B	1	S	Internal Cotter Pin
11	717-0620	1	S	Electromechanical Linear Actuator
?12	736-0272	1	S	Flat Washer, .51 x 1.0 x .06
13	629-0919	1	S	Wire Harness
14	736-0921	1	S	Lock Washer, 1/2
15	738-0482	1		Hitch Rod
16	736-3084	1	/P	Flat Washer, .51 x 1.12 x .060
17	747-1170	1		Upper Cylinder Support Rod
18	747-1171	1		Lower Cylinder Support Rod
19	750-1206	1		Spacer, .542 x .750 x .5
?20	783-0668	1		Hitch Plate
21	725-0157	1	/P	Cable Tie
22	725-1053	1	S	Toggle Switch